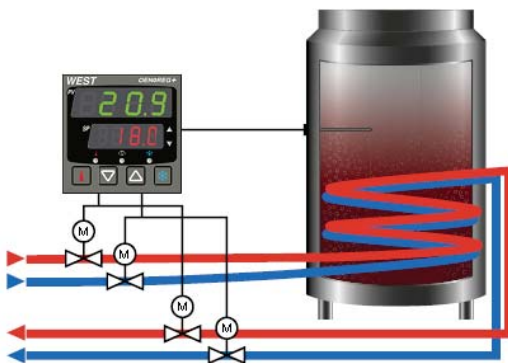


Oenoreg+ Temperature Controller for Wine Production Applications



- Two control outputs for heat and cool water circuits
- Temperature ramp rate setting
- Single or Two setpoints
- One Process Alarm
- Wine density alarm via remote signal input
- Modbus Comms
- Modular output and option modules
- Available in 1/16 DIN and 1/8 DIN Formats

Based on market proven technology Oenoreg+ is a simple-to-use temperature controller configured specifically for wine applications.



The Oenoreg+ has separate outputs to independently control the Hot and Cold water circuits.

With intuitive user operation, dedicated buttons and clear display the device offers improved efficiency and fewer operator errors.

The units are easy to set up and install, with no costly and time consuming programming needed. This in turn leads to faster maintenance changes to minimise the risk of waste and reduce overall costs.

Specification

Features

Control Types	On-Off control strategy for Wine fermentation applications
Output Configuration	Up to 3 possible, one for control, alarm, 24VDC transmitter power supply or retransmit of process value or setpoint
Alarm 1 & 2 Types	Temperature high, process low, SP deviation, band, logical OR / AND. Alarms have adjustable hysteresis.
Human Interface	4 button operation, dual 4 digit 10mm & 8mm high (6100+, 8100+) and 13mm & 10mm high (4100+) LED displays, optional choice of colours (Red/Red, Red/Green, Green/Red or Green/Green), plus 5 LED indicators

Input

Thermocouple	J, K, C, R, S, T, B, L, N & PtRh20%vsPtRh40%.
RTD	3 Wire PT100, 50Ω per lead maximum (balanced)
DC Linear	0 to 20mA, 4 to 20mA, 0 to 50mV, 10 to 50mV, 0 to 5V, 1 to 5V, 0 to 10V, 2 to 10V. Scaleable -1999 to 9999, with adjustable decimal point
Impedance	>10MΩ for Thermocouple and mV ranges, 47KΩ for V ranges and 5Ω for mA ranges
Accuracy	±0.1% of input range ±1 LSD (T/C CJC better than 1°C)
Sampling	4 per second, 14 bit resolution approximately

Sensor Break Detection

<2 seconds (except zero based DC ranges), control O/P's turn off, high alarms activate for T/C and mV ranges, low alarms activate for RTD, mA or V ranges

Outputs & Options

Control & Alarm Relays
Control SSR Driver Outputs
DC Linear Outputs

Contacts SPDT 2 Amp resistive at 240V AC, >500,000 operations
Drive capability >10V DC in 500Ω minimum
0 to 20mA, 4 to 20mA into 500Ω max, 0 to 10V, 2 to 10V, 0 to 5V into 500Ω min.
Control outputs have 2% over/under drive applied. Accuracy ±0.25% at 250Ω (degrades linearly to 0.5% for increasing burden to specified limits)

Transmitter Power Supply
Communications
Remote Signal Input

Output 24VDC (nominal) into 910Ω minimum to power external devices
2 Wire RS485, 1200 to 19200 Baud, Modbus and ASCII protocol (selectable)
0 to 20mA, 4 to 20mA, 0 to 5V, 1 to 5V, 0 to 10V or 2 to 10V. Scaleable -1999 to 9999.

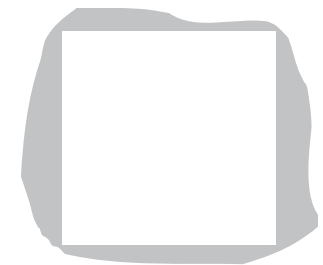
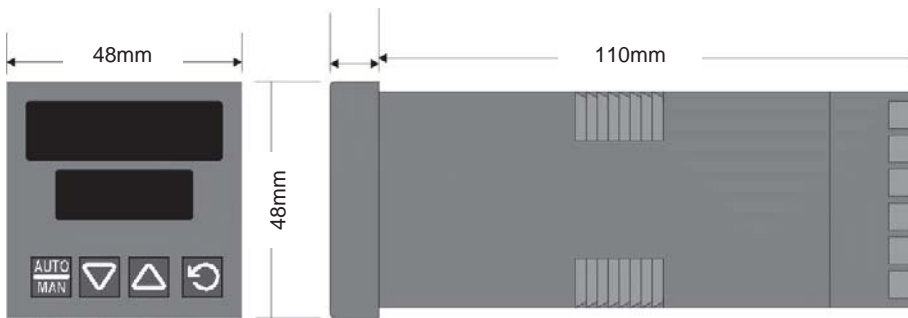
Operating & Environmental

Temperature & RH
Power Supply
Front Panel Protection
Standards

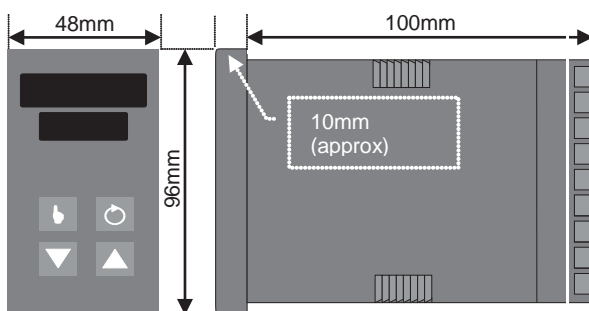
0 to 55°C (-20 to 80°C storage), 20% to 95% RH non-condensing
100 to 240V 50/60Hz 7.5VA (optional 20 to 48V AC 7.5VA/22 to 65V DC 5 watts)
IEC IP66
CE, UL & ULC recognised

Dimensions

1/16 DIN (48x48mm)

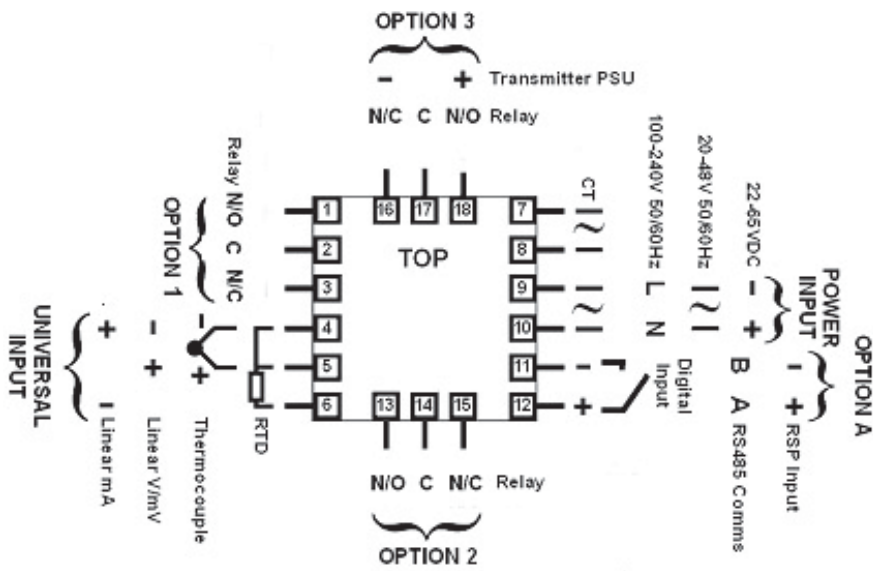


1/8 DIN (96x48mm)

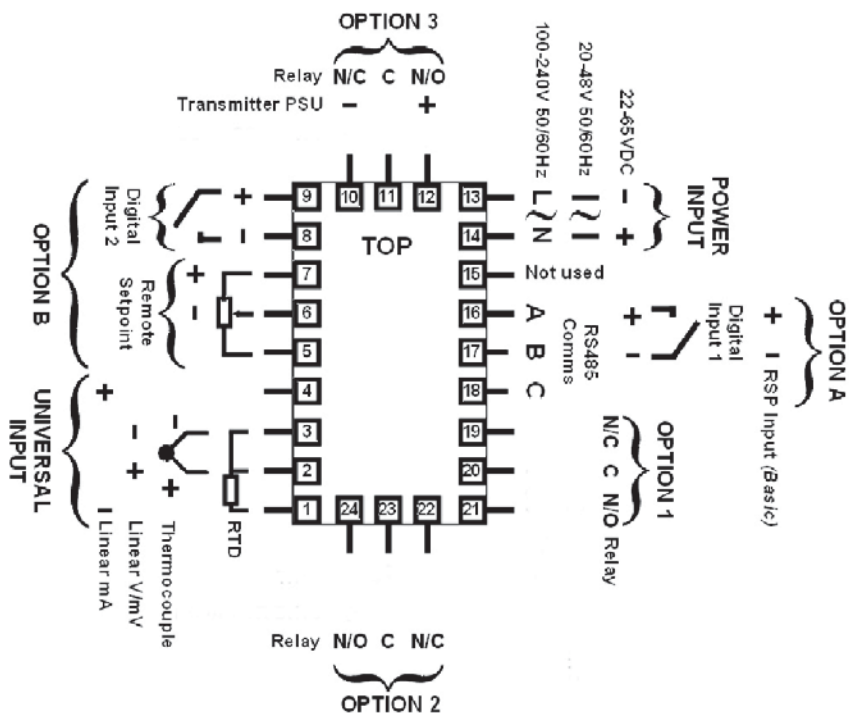


Wiring Connections

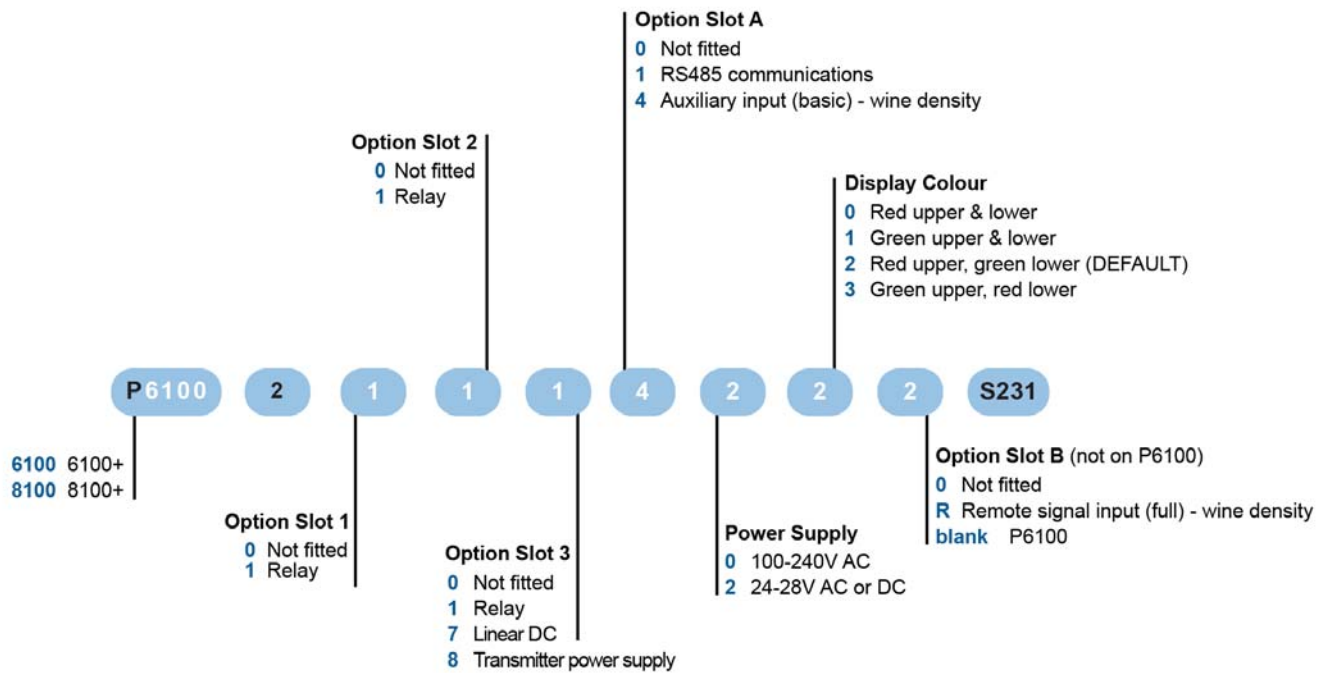
1/16 DIN (48x48mm)



1/8 DIN (96x48mm)



Ordering Code



West Control Solutions – International Sales and Support



Email: Enquiries@West-CS.com

Website: www.West-CS.co.uk



Telephone: +44 (0)1273 606271

Fax: +44 (0)1273 609990



Address: The Hyde Business Park
Brighton,
East Sussex
BN2 4JU
United Kingdom

Brochures and datasheets are available for the complete range of West Control Solutions products, contact your local sales office or visit our website at: www.west-cs.com for more information.

Specifications are subject to change without notice, as a result of continual development and improvement, E&OE